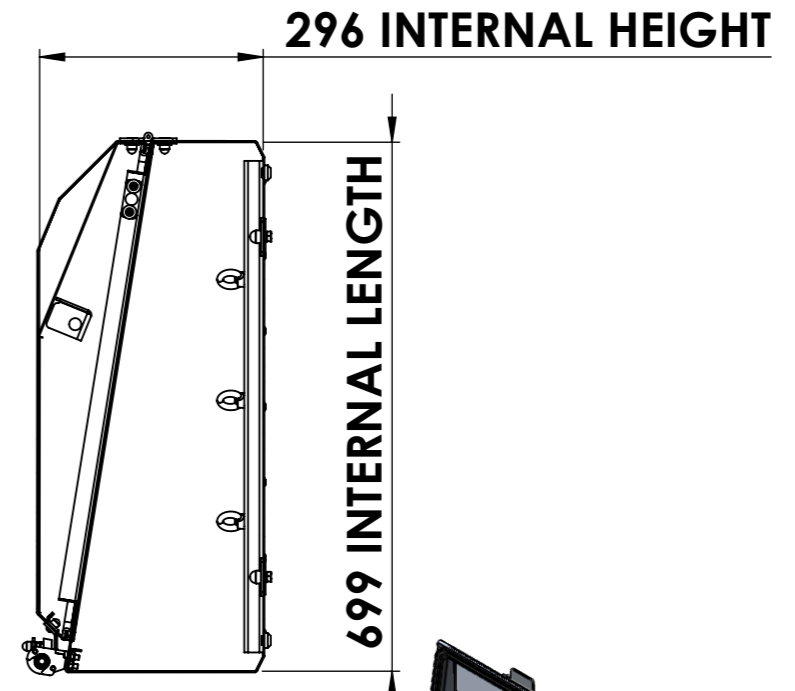
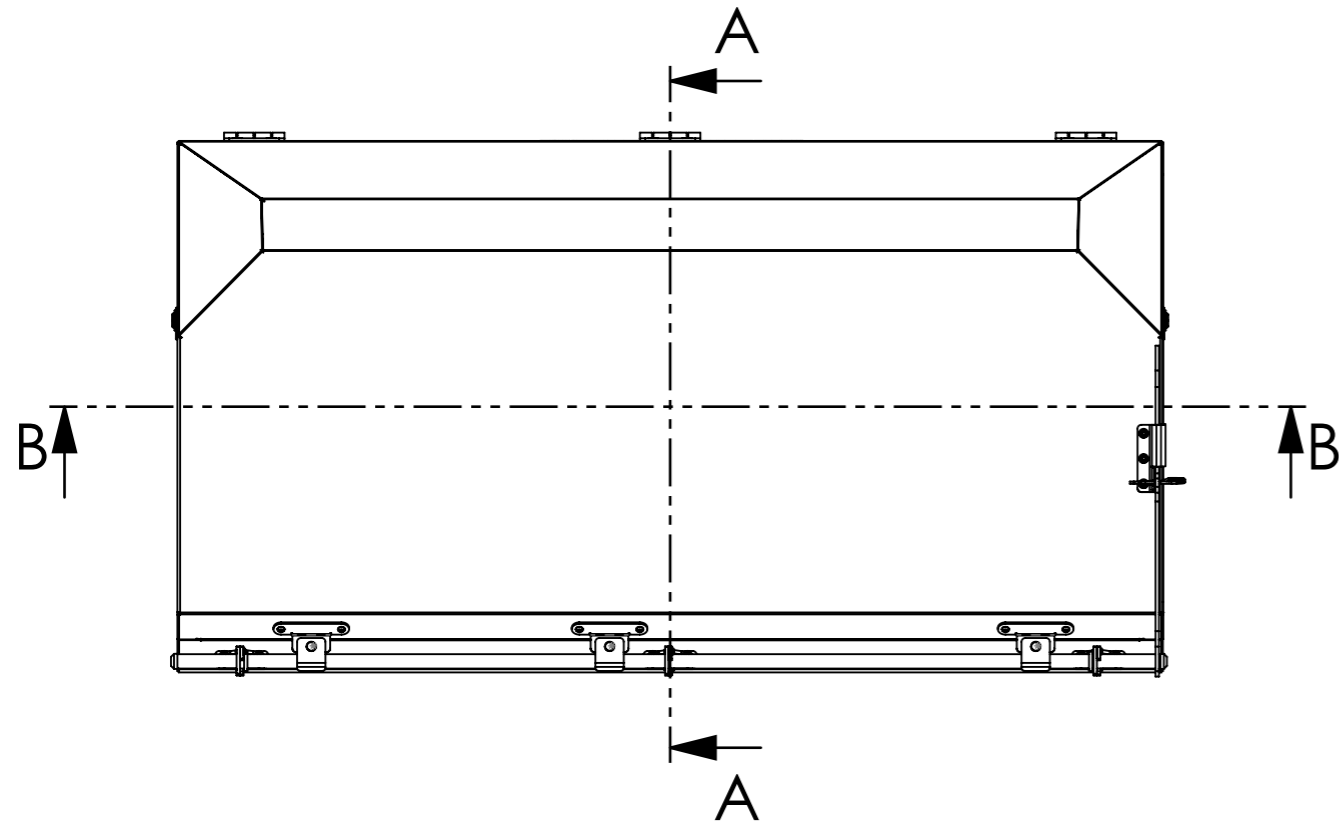


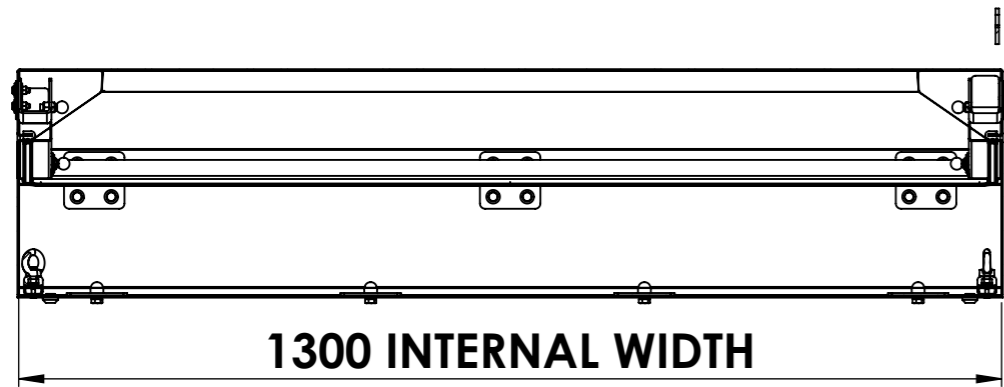
GENERAL ARRANGEMENT

LARGE ROOF BOX

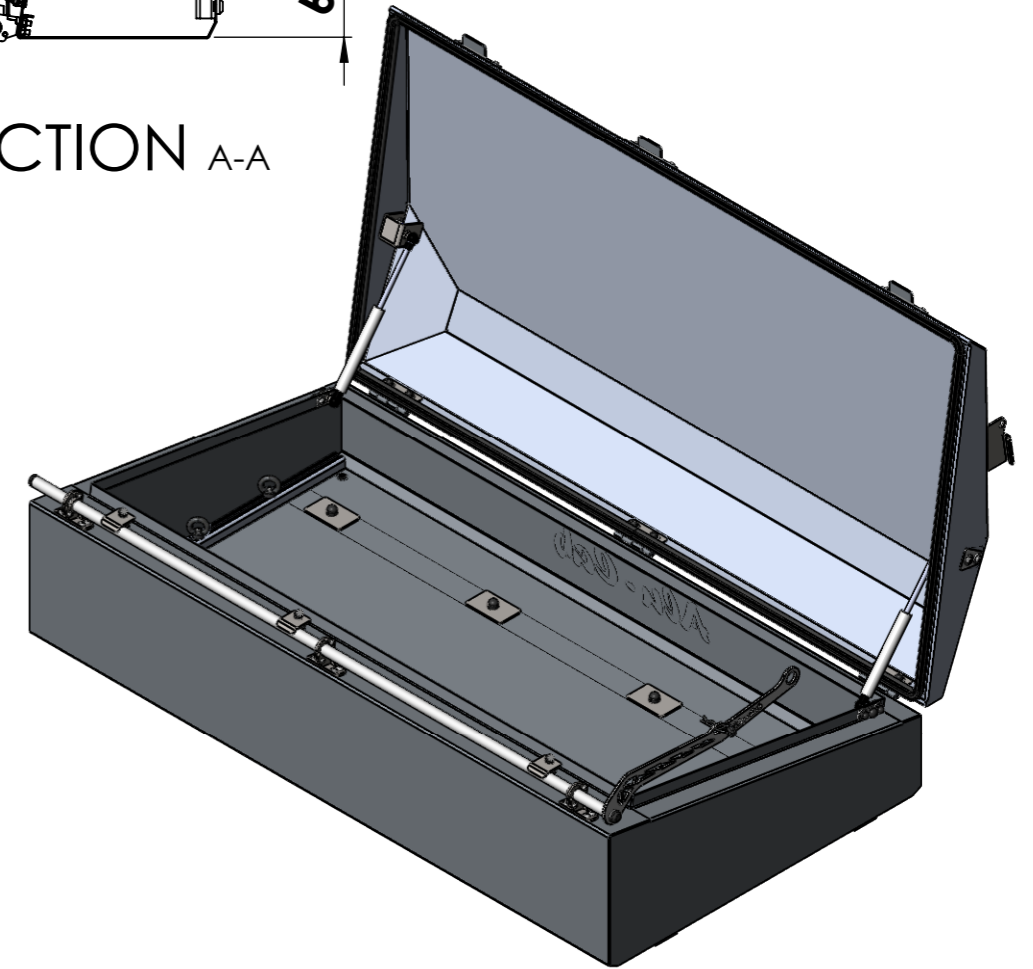
ASSY INFO	MASS (kg):	
	BONDED:	Y
	FASTENED:	Y
FINISH	WELDED:	Y
	TUMBLED:	
	BRUSHED:	
	POWDER:	Y
	SPRAY:	
	COLOUR:	N/A



SECTION A-A



SECTION B-B



TOLERANCES TO ASSUME
UNLESS INDICATED OTHERWISE

NOM DIMENSION	RANGE (mm)	TOLERANCE
0.50	- 3.00	± 0.10
3.00	- 6.00	± 0.15
6.00	- 30	± 0.20
30	- 120	± 0.30
120	- 400	± 0.50
400	- 1000	± 1.00
1000	- 1000<	± 2.00

DESCRIPTION: ROOF BOX LARGE	SHEET: A3
PROJECT: A-RB-LB	SHEET 1 of 1
DRAWN BY: System Administrator	SCALE: 1:10
DATE: 2024-02-27	DRAWING NO. A-RB-LB-GA
THE INFORMATION CONTAINED WITHIN THIS DOCUMENT IS THE INTELLECTUAL PROPERTY OF ALU-CAB (PTY) LTD	

	REV 00
--	------------------