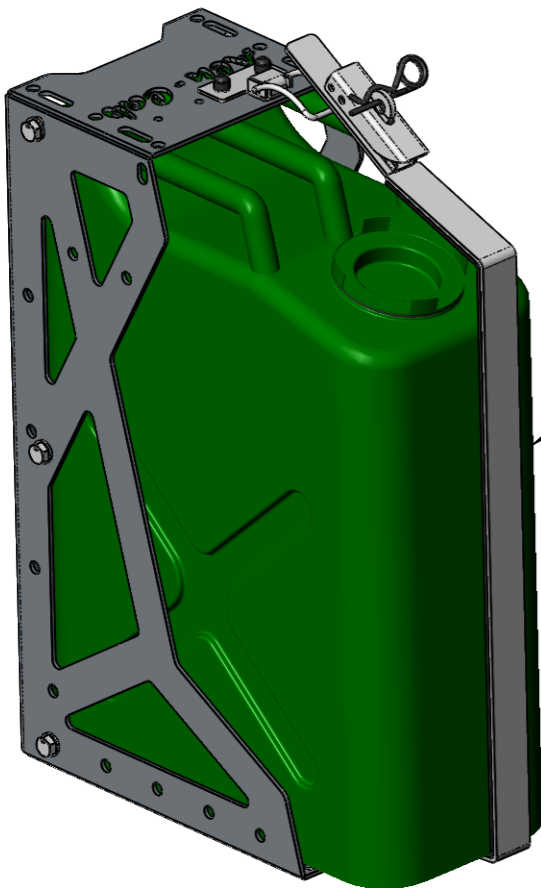
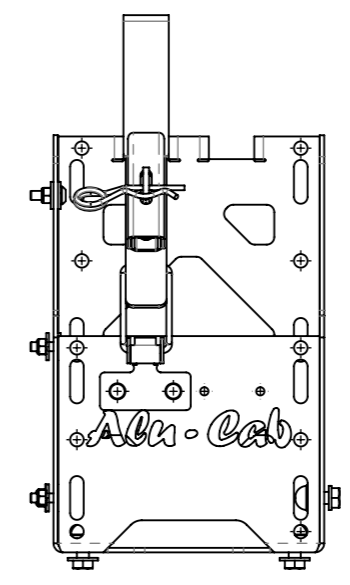
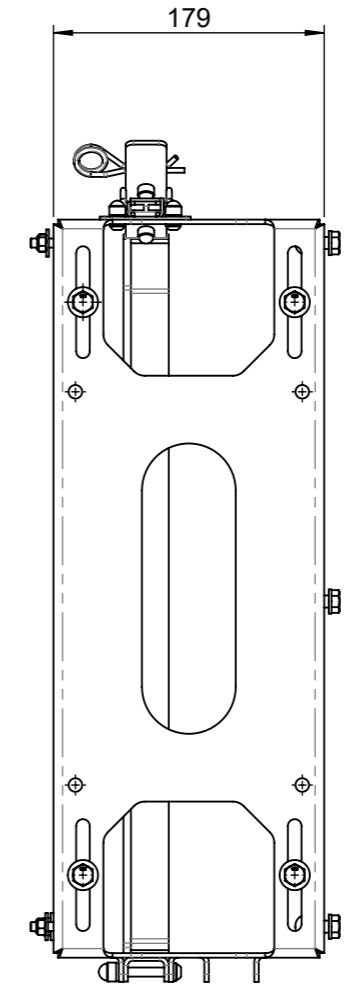
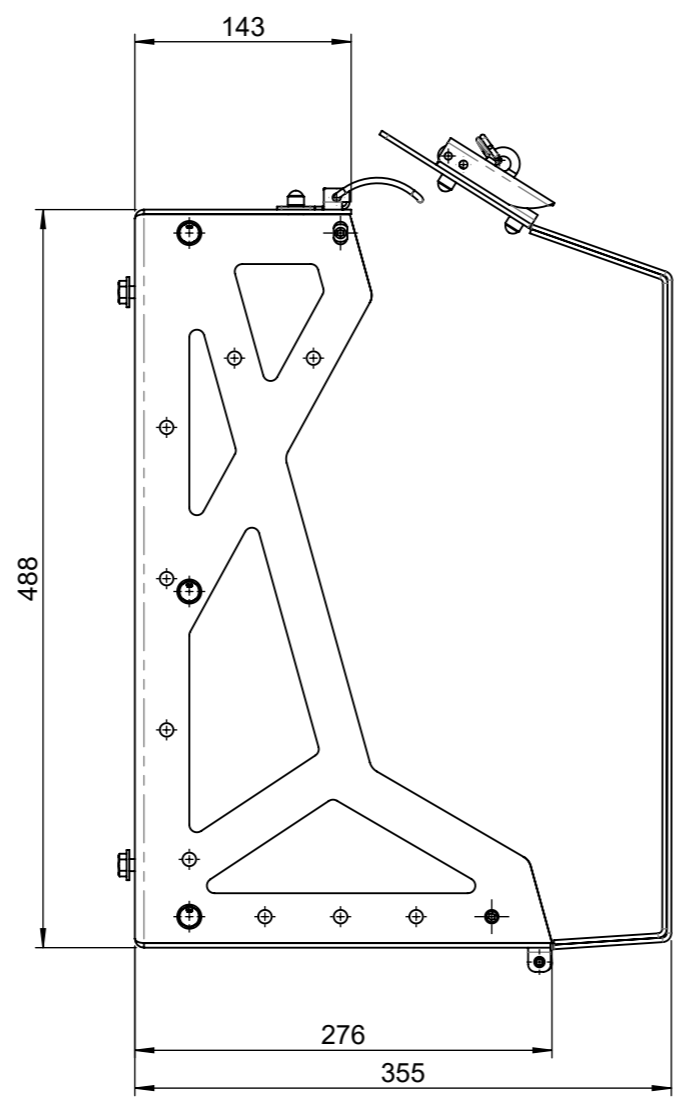


GENERAL ARRANGEMENT

JERRY CAN HOLDER - 20lt

ASSY INFO	MASS (kg):	
	BONDED:	Y
	FASTENED:	Y
FINISH	WELDED:	Y
	TUMBLED:	
	BRUSHED:	
	POWDER:	
	SPRAY:	
	COLOUR:	N/A



20LT JERRY CAN
(NOT INCLUDED)

TOLERANCES TO ASSUME
UNLESS INDICATED OTHERWISE

NOM	DIMENSION	RANGE (mm)	TOLERANCE
0.50	-	3.00	± 0.10
3.00	-	6.00	± 0.15
6.00	-	30	± 0.20
30	-	120	± 0.30
120	-	400	± 0.50
400	-	1000	± 1.00
1000	-	1000<	± 2.00

DESCRIPTION:
JERRY CAN HOLDER -GEN 2 UNIVERSAL

PROJECT:
C-A-JCH-U

DRAWN BY:
System Administrator

DATE:
2024-06-26

THE INFORMATION CONTAINED WITHIN THIS DOCUMENT IS THE INTELLECTUAL PROPERTY OF ALU-CAB (PTY) LTD

SHEET:
A3

SCALE:
1:5

SHEET
1 of 1

DRAWING NO.
C-A-JCH-U-GA



REV
00