

Alu-CabTM

ULTIMATE OVERLAND PRODUCTS

FITMENT INSTRUCTIONS

INEOS GRENADIER EXTERIOR MOLLE

IG-A-MP-EX

Installation Instructions

Installation and fitment instructions includes the tools required, fasteners included in the kit, and the hardware included in the kit.

Please follow the instructions and check installation steps with the images in this document.

Alu-Cab recommends that all sealing work is allowed to cure for 24 hours, after which you may drive the vehicle on normal paved roads. Before driving off-road with your Alu-Cab product or operating your roof conversion, an additional cure period of 48 hours is required.

Failure to follow these instructions will void your warranty. Please ensure that you follow the sealant manufacturers curing time as per their technical data sheet.

These times may differ slightly from the times we have recommended.



Service Enquiries email
queries@alu-cab.com

Installation Instructions

Ineos Grenadier Exterior Molle - Tools, Fasteners & Hardware

1.1

Tools & Items Required

T30 Torx Driver
10mm Ring Spanner/Socket
4mm Allen Key

1.2

Fasteners Supplied

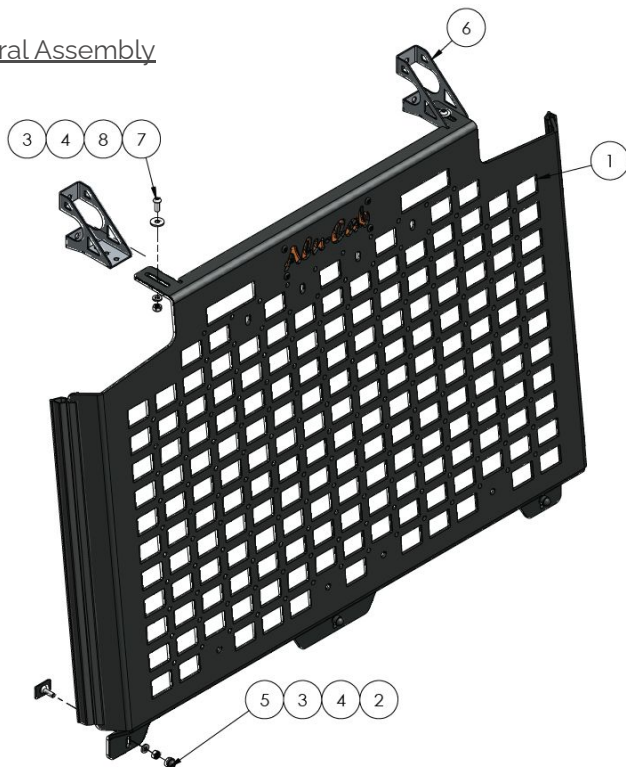
PART NUMBER	DESCRIPTION	QTY
IG-A-MP-EX-A02	INEOS GRENADIER CARGO RAIL INSERT	3
NY-M6	M6 NYLOC NUT S/S	5
FW-M6	M6x12mm FLAT WASHER S/S - DIN 125	5
NCAP-M6	NUT CAP-o6mm	3
IG-A-MP-EX-P007	INEOS GRENADIER SPACER PLATE	1
IG-A-MP-EX-A01	INEOS GRENADIER MOLLE PLATE MOUNTING BRACKET	2
BHD-M6x16	M6x16 B/HD BOLT S/S	2
FFW-M6	M6x18mm OVERSIZED WASHER S/S - DIN 9021	2

Installation Instructions

Ineos Grenadier Exterior Molle - Tools, Fasteners & Hardware

1.3

General Assembly



ITEM NO.	PART NUMBER	DESCRIPTION	QTY
1	IG-A-MP-EX-A00	INEOS GRENADIER EXTERIOR MOLLE PLATE	1
2	IG-A-MP-EX-A02	INEOS GRENADIER CARGO RAIL INSERT	3
3	NY-M6	M6 NYLOC NUT S/S	5
4	FW-M6	M6x12mm FLAT WASHER S/S - DIN 125	5
5	NCAP-M6	NUT CAP-06mm	3
6	IG-A-MP-EX-A01	INEOS GRENADIER MOLLE PLATE MOUNTING BRACKET	2
7	BHD-M6x16	M6x16 B/HD BOLT S/S	2
8	FFW-M6	M6x18mm OVERSIZED WASHER S/S - DIN 9021	2

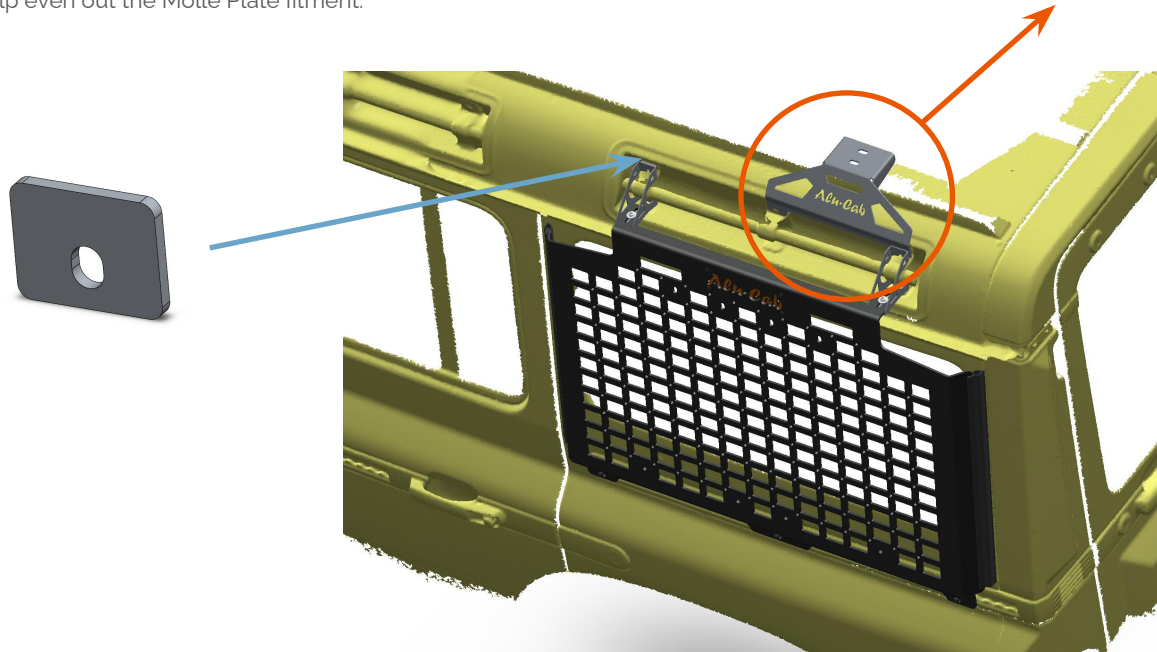
Installation Instructions

Ineos Grenadier Exterior Molle

1.4

Extra's to Note

x1 Spacer (IG-A-MP-EX-P007) is included per molle to even out spacing if an Alu-Cab Ineos loadbar (IG-LB-FEET) is installed. The spacer will help even out the Molle Plate fitment.



Installation Instructions

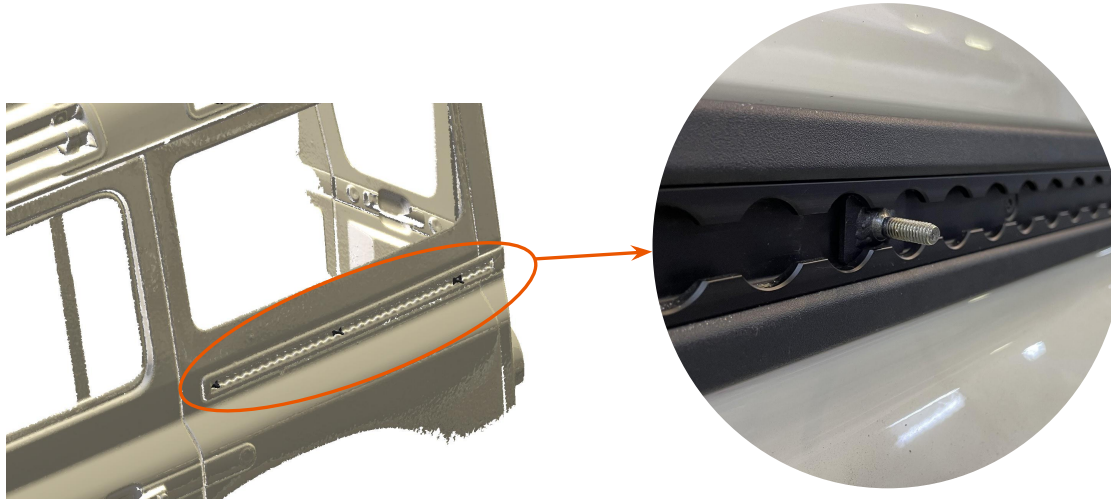
Ineos Grenadier Exterior Molle

2

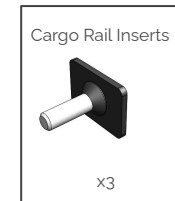
Cargo rail inserts

2.1 - Unscrew the Grenadier's cargo rail using a T30 Driver. It does not need to be completely unscrewed, but just enough to shift it out to slide the Cargo Rail Inserts inside the rail.

2.2 - Once the 3 inserts are installed, the cargo rail may be secured back to the vehicle.



FASTENERS REQUIRED HERE



Installation Instructions

Ineos Grenadier Exterior Molle

3

Mounting Bracket Install

3.1 - Using a T30 Driver, unscrew the following OEM bolts and washers . This will be reused for the molle plate installation.



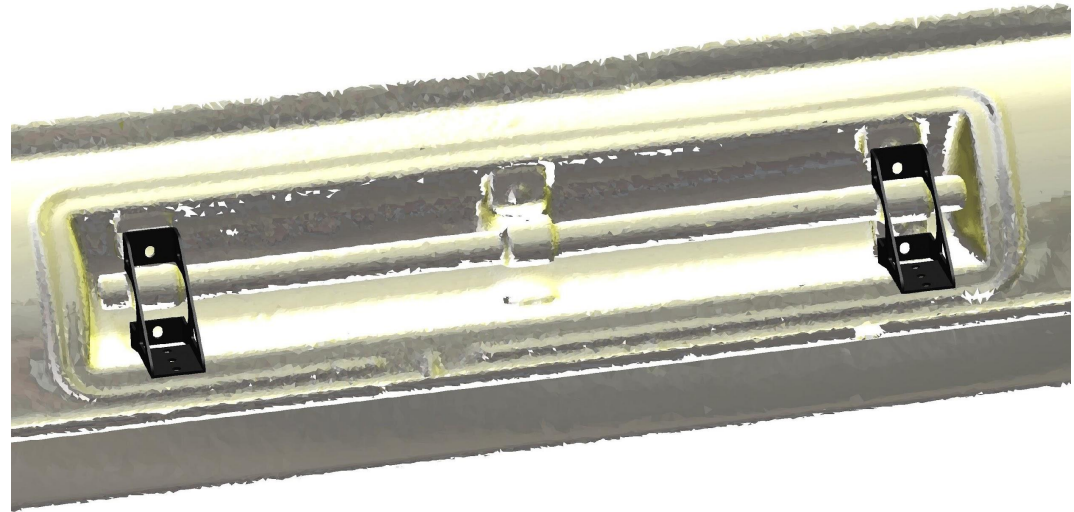
Installation Instructions

Ineos Grenadier Exterior Molle

4

Mounting Bracket Install

4.1 - Install the mounting bracket (IG-A-MP-EX-A01) using the OEM bolts and washers. Start with the lower bolt, and the top bolts last.



NOTE: Use the spacer seen on page 5 here if the Ineos loadbar (IG-LB-FEET) is installed

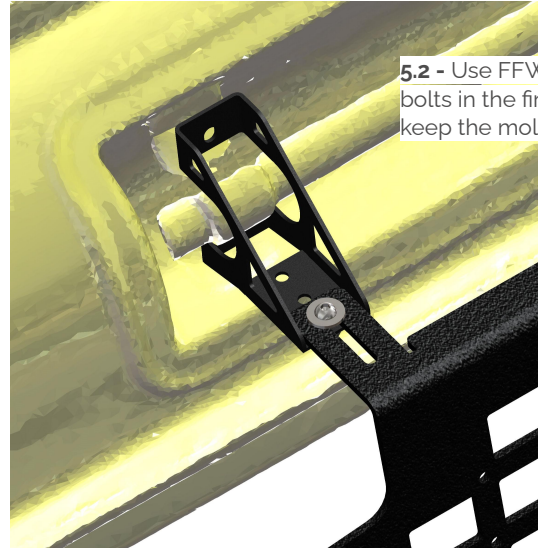
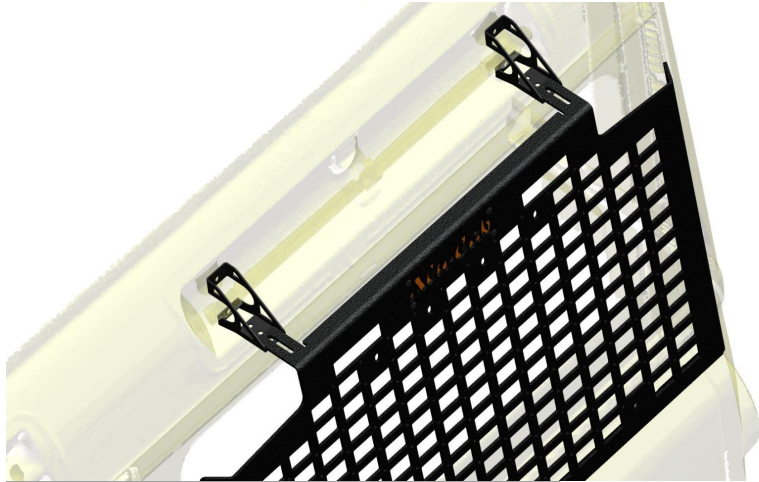
Installation Instructions

Ineos Grenadier Exterior Molle

5

Fitting the Molle plate

5.1 - Fit the molle plate to the installed brackets as shown . Check fitment between the molle plate and brackets before securing down.



5.2 - Use FFW-M6 and the BHD-M6 bolts in the first hole on the bracket to keep the molle plate in place.

FASTENERS REQUIRED HERE

FFW-M6



x2

BHD-M6x16



x2

FW-M6



x2

NY-M6



x2

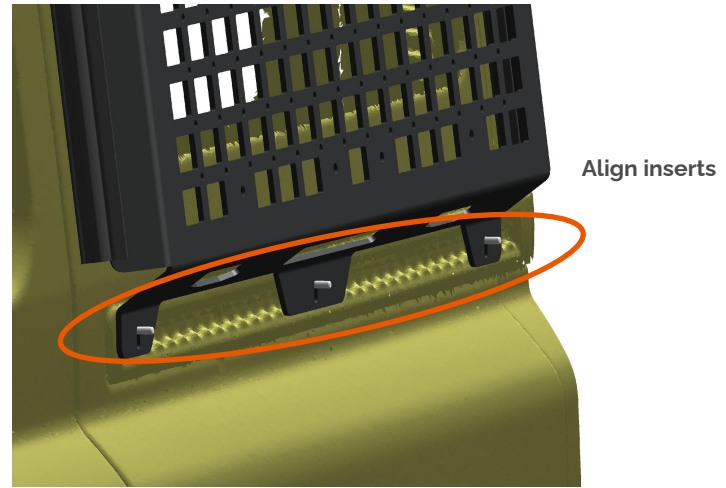
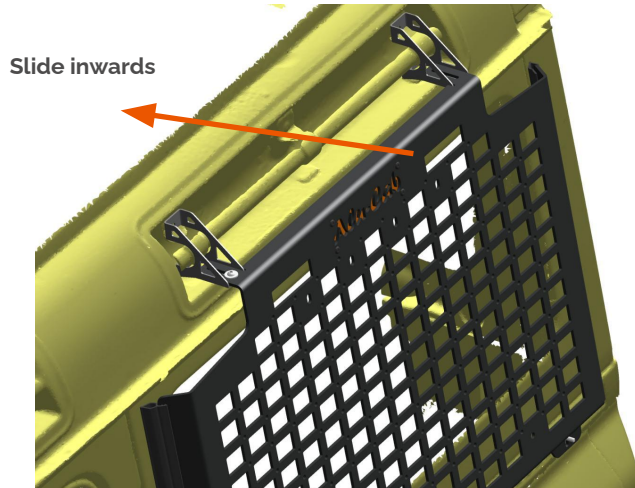
Installation Instructions

Ineos Grenadier Exterior Molle

5

Fitting the Molle plate

5.2 - Slide molle plate inwards and align the cargo rail inserts to the 3 lower slots.



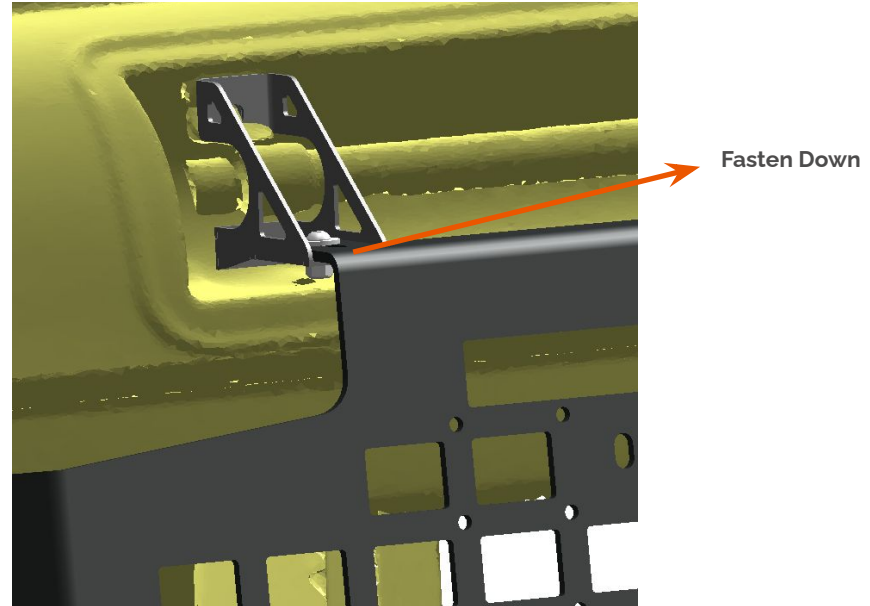
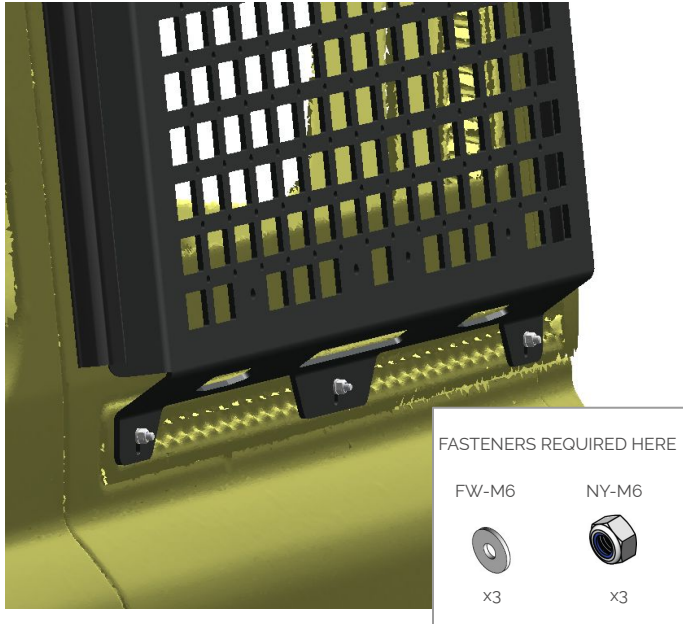
Installation Instructions

Ineos Grenadier Exterior Molle

5

Securing all fasteners

5.3 - Fasten the cargo rail inserts with the supplied M6 Washer (FW-M6) and M6 Nyloc Nuts (NY-M6) and tighten the fasteners on the bracket.



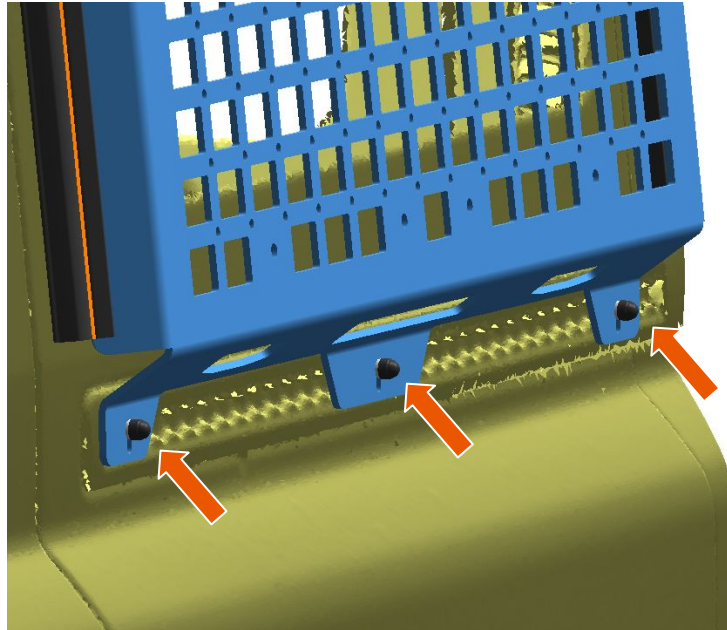
Installation Instructions

Ineos Grenadier Exterior Molle

5

Securing all fasteners

5.4 - Once fastened securely, add the NCAPs.

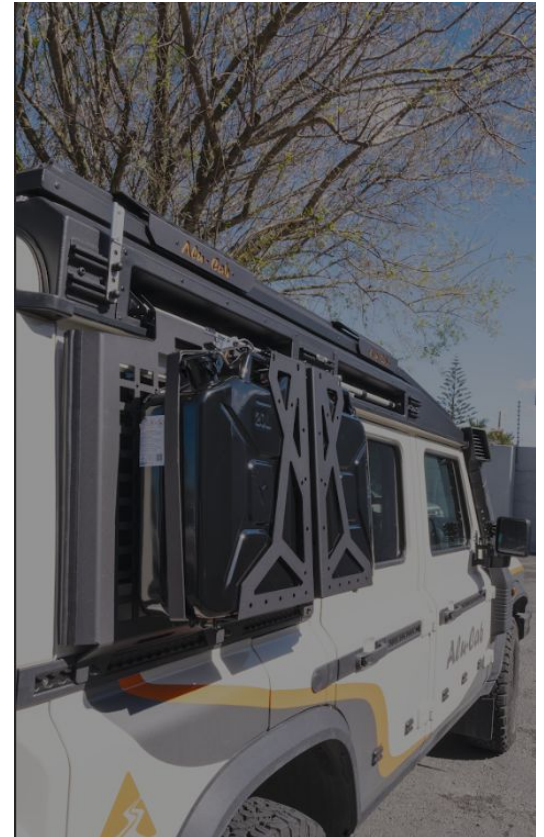


Installation Instructions

Ineos Grenadier Exterior Molle

Installation Complete

6



Disclaimer

All rights reserved. No part of this website may be reproduced, translated, stored in a retrieval system, or transmitted, in any form or by any means, electronic, mechanical, photocopying, recording or otherwise, without prior written permission of the owner.

Review all instructions information carefully before installation.

Any damages, direct or incidental to the installer and/or property due to incorrect installation of any parts are the responsibility of the installer. Due to the various applications and fitment options available, the responsibility lies with the user to ensure all mounting points are secure and tight before every trip.

If unsure, consult with your Distributor regarding the operations of our products.

Users are advised to be mindful of the load they are carrying and drive in accordance with road conditions.

WARNING

Always wear appropriate PPE (Personal protection equipment) when fitting our products. Although the mounting kit is designed to be DIY, if you have any doubts or concerns, contact an accredited fitment centre to carry out the work. Alu-Cab will not be liable for any injury to persons, and/or damage to products and/or vehicles.

While Alu-Cab Holdings takes reasonable measures to ensure that the contents of this Website are accurate and complete, Alu-Cab Holdings makes no representations or warranties, whether express or implied, as to the quality, timeliness, operation, integrity, availability or functionality of this Website or as to the accuracy, completeness or reliability of any information on this Website. Alu-Cab Holdings reserves the right to make changes, corrections and/or improvements to the information and to the products and programs described in such information, at any time without notice.

Alu-Cab Holdings will use reasonable endeavours to maintain the availability of the Website, except during scheduled maintenance periods, and reserves the right to discontinue providing the Website or the service or any part thereof with or without notice to you. Any person who accesses this Website or relies on this Website or on the information contained in this Website does so at his or her own risk.

Occasionally, at our discretion, we may include or offer third-party products or services on our website. These third-party sites have separate and independent privacy policies. We therefore have no responsibility or liability for the content and activities of these linked sites. Nonetheless, we seek to protect the integrity of our site and welcome any feedback about these sites.